

# RMCS

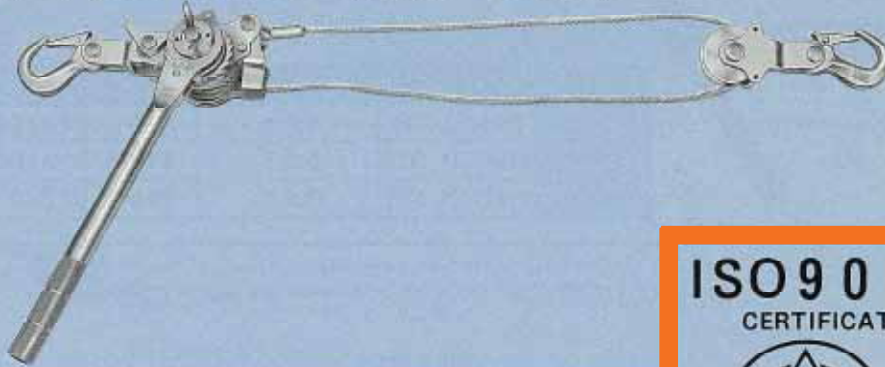
## REBAR, MESH &

Construction Supplies (Pty) Ltd t/a RMCS

Tel. +27 (0)11 310 8660 Email. sales@rmcs.com

www.rmcs.com

### RATCHET PULLERS (5KN~60KN)



**ISO 9001:2000**

CERTIFICATED



Accredited by IFA

86-93



REGISTERED FIRM

No. 0558

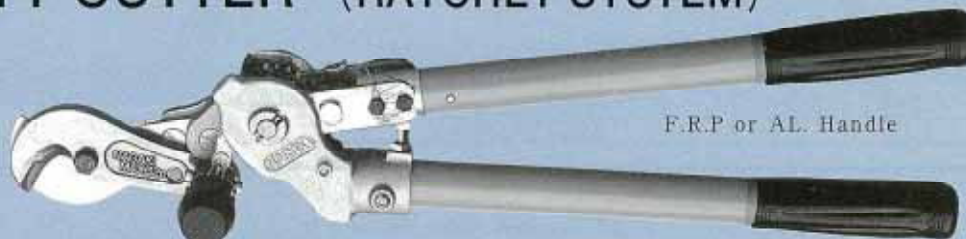
### WIRE GRIPS



### TENSION METERS (A-1~A-100)



### MIGHTY CUTTER (RATCHET SYSTEM)



F.R.P or AL. Handle

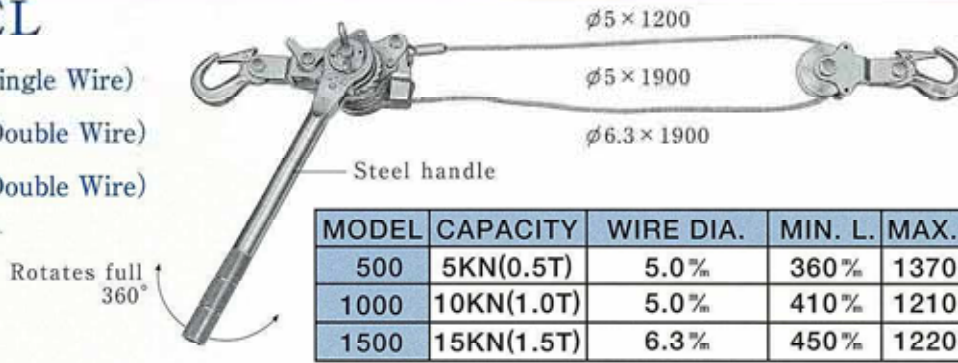
AC SR	HAL	CU	ST	LENGTH	WEIGHT
160mm	400mm	150mm	45mm	600%	2.8kg

[WWW.RMCS.COM](http://WWW.RMCS.COM)

# RATCHET-PULLERS

## MODEL

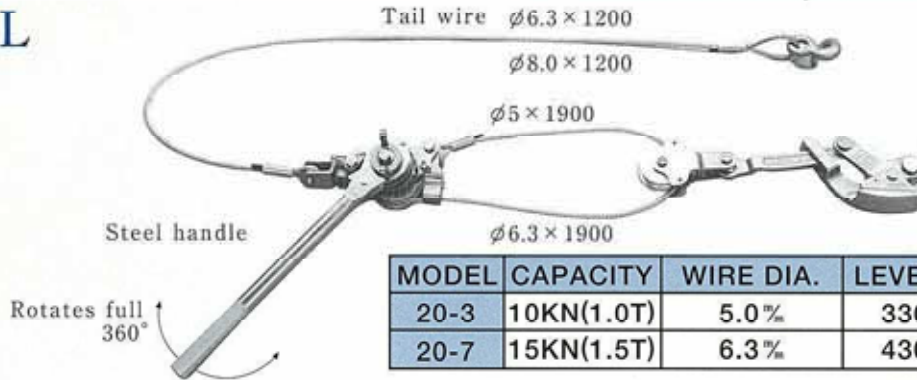
- 500 (Single Wire)
- 1000 (Double Wire)
- 1500 (Double Wire)



MODEL	CAPACITY	WIRE DIA.	MIN. L.	MAX. L.	LEVER L.	WT.
500	5KN(0.5T)	5.0%	360%	1370%	330%	2.4kg
1000	10KN(1.0T)	5.0%	410%	1210%	330%	3.1kg
1500	15KN(1.5T)	6.3%	450%	1220%	430%	4.3kg

## MODEL

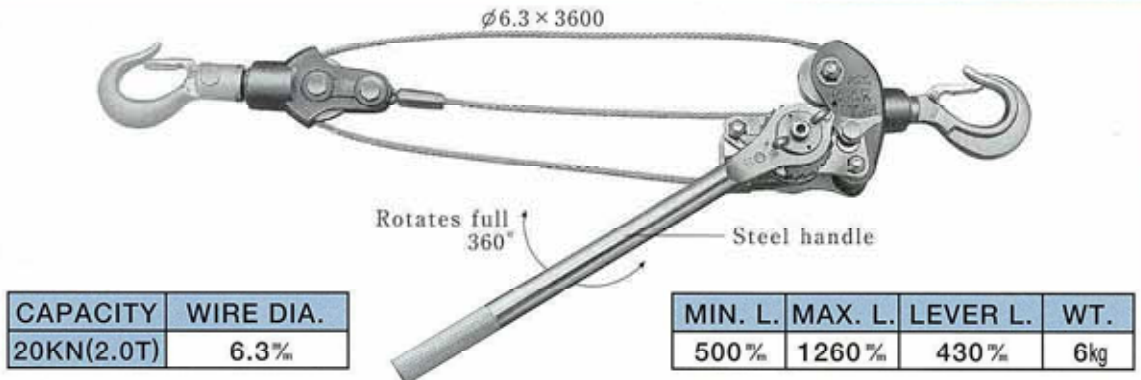
- 20-3
- 20-7



MODEL	CAPACITY	WIRE DIA.	LEVER L.	GRIP	WT.
20-3	10KN(1.0T)	5.0%	330%	1TON	4.2kg
20-7	15KN(1.5T)	6.3%	430%	2TON	5.5kg

## MODEL

- 2000

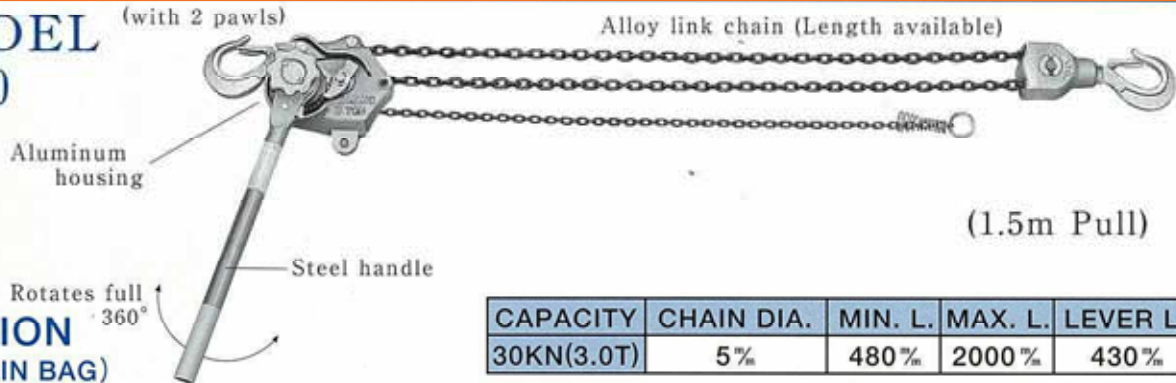


CAPACITY	WIRE DIA.
20KN(2.0T)	6.3%

MIN. L.	MAX. L.	LEVER L.	WT.
500%	1260%	430%	6kg

## MODEL

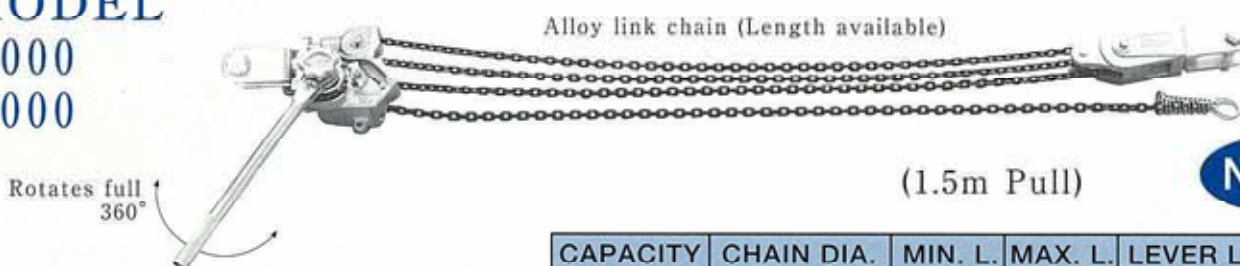
- 3000



CAPACITY	CHAIN DIA.	MIN. L.	MAX. L.	LEVER L.	WT.
30KN(3.0T)	5%	480%	2000%	430%	8kg

## MODEL

- 4000
- 6000



CAPACITY	CHAIN DIA.	MIN. L.	MAX. L.	LEVER L.	WT.
40KN(4.0T)	5%	580%	2180%	430%	12kg
60KN(6.0T)	5%	650%	2250%	430%	19kg

**NEW**

**OPTION**  
(CHAIN BAG)

## MODEL

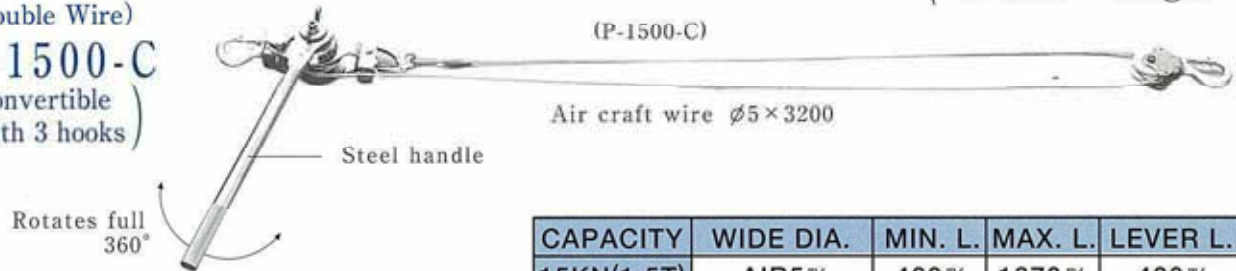
P-1500

(Double Wire)

P-1500-C

(Convertible  
with 3 hooks)

( 1.4m × 2.8m Pull  
double × single wire )

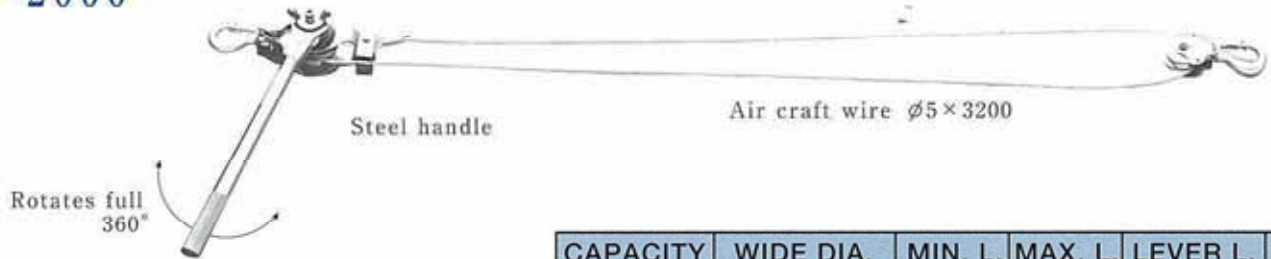


CAPACITY	WIDE DIA.	MIN. L.	MAX. L.	LEVER L.	WT.
15KN(1.5T)	AIR5%	460%	1870%	430%	4.1kg

## MODEL

P-2000

(1.4m Pull)

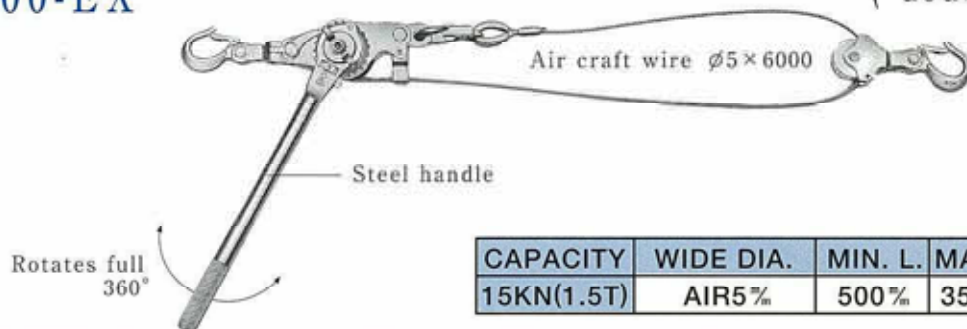


CAPACITY	WIDE DIA.	MIN. L.	MAX. L.	LEVER L.	WT.
20KN(2.0T)	AIR5%	460%	1870%	430%	4.1kg

## MODEL

P-1500-EX

( 3m × 6m Pull  
double × single wire )



CAPACITY	WIDE DIA.	MIN. L.	MAX. L.	LEVER L.	WT.
15KN(1.5T)	AIR5%	500%	3500%	430%	5kg

## MODEL

RICKY-2

Alloy link chain (Length available)

(1.5m Pull)



(Only 4kg wt)

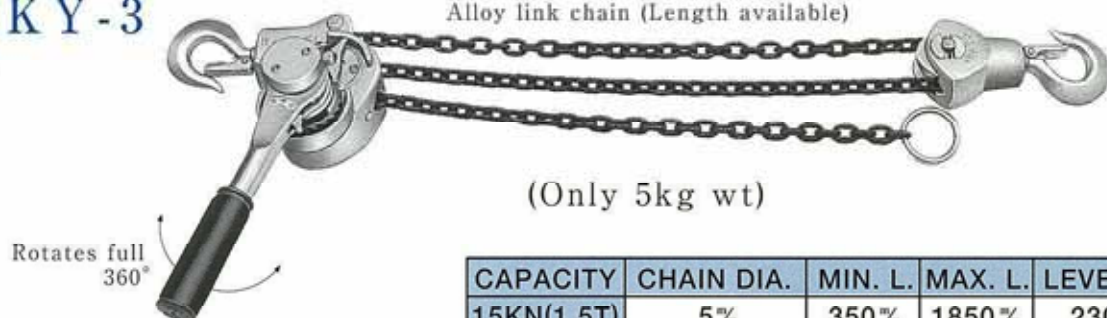
CAPACITY	CHAIN DIA.	MIN. L.	MAX. L.	LEVER L.	WT.
7.5KN(3/4T)	5%	300%	1800%	230%	4kg

## MODEL

RICKY-3

Alloy link chain (Length available)

(1.5m Pull)



(Only 5kg wt)

CAPACITY	CHAIN DIA.	MIN. L.	MAX. L.	LEVER L.	WT.
15KN(1.5T)	5%	350%	1850%	230%	5kg

# WEB-STAP RATCHET-PULLERS

**MODEL**  
N-1000  
N-1500

All web strap can be expected insulating factor when dry and clean

(0.8m Pull)



F.R.P Insulated handle

Rotates full  
360°

MODEL	CAPACITY	STRAP SIZE	MIN. L.	MAX. L.	LEVER L.	WT.
N-1000	10KN(1.0T)	2X33%	420%	1270%	400%	3.2kg
N-1500	15KN(1.5T)	2X40%	450%	1300%	460%	4.5kg

**MODEL**  
N-1000P  
N-1500P

(1.5m Pull)



F.R.P Insulated handle

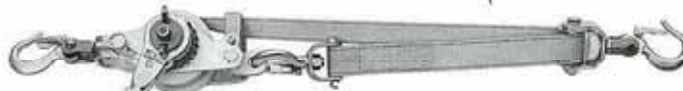
Rotates full  
360°

MODEL	CAPACITY	STRAP SIZE	MIN. L.	MAX. L.	LEVER L.	WT.
N-1000P	10KN(1.0T)	2X33%	440%	1940%	400%	3.3kg
N-1500P	15KN(1.5T)	2X40%	470%	1970%	460%	4.6kg

**MODEL**  
N-1500P-EX

( For Hot Line Work Model N-1500P-EX-H )  
with detachable handle available

( Convertible  
with 3 hooks )



F.R.P  
Insulated handle

( 1.5m Pull × 3m Pull )  
double × single

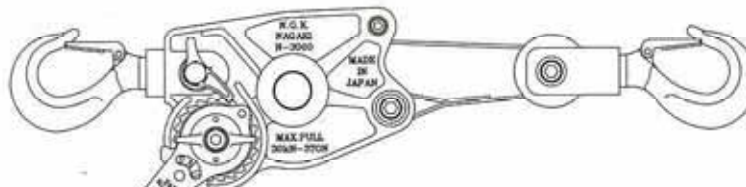
**NEW**

Rotates full  
360°

CAPACITY	STRAP SIZE	MIN. L.	MAX. L.	LEVER L.	WT.
15KNX7.5KN	2X40%	500%	2000%	460%	5kg

**MODEL**  
N-3000

(1.5m Pull)



F.R.P Insulated handle

Rotates full  
360°

**NEW**

CAPACITY	STRAP SIZE	MIN. L.	MAX. L.	LEVER L.	WT.
30KN(3T)	2.5X50%	500%	2000%	460%	7kg

**⚠ WARNING : THE PULLERS IN THIS CATALOGUE CAN NOT BE USED FOR LIFTING AND LOWERING AND FOR SUPPORTING HUMAN CARGO!!**

# WIRE GRIPS

## MINI-GRIP

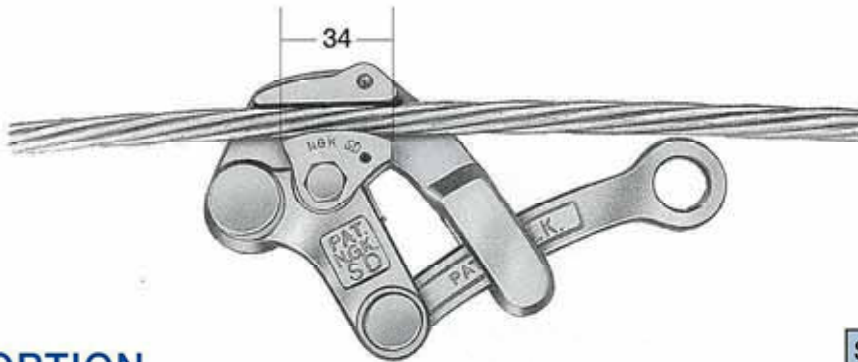
For steel rod, barbed wire and messenger wire



SAFE LOAD	MIN. ROD DIA.	MAX. ROD DIA.	WT.
5KN(0.5T)	1%	10%	0.3kg

## SD-GRIP

For steel rod, copper cable and messenger wire

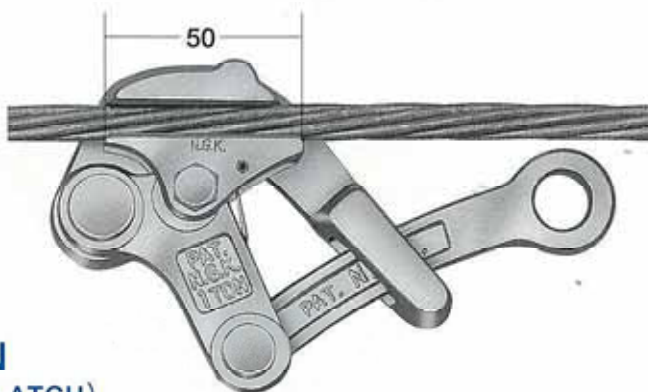


**OPTION**  
(SAFETY LATCH)

SAFE LOAD	MIN. CABLE DIA.	MAX. CABLE DIA.	WT.
10KN(1.0T)	2.6%	15%	0.6kg

## MESSEN-GRIP

For copper cable and messenger wire

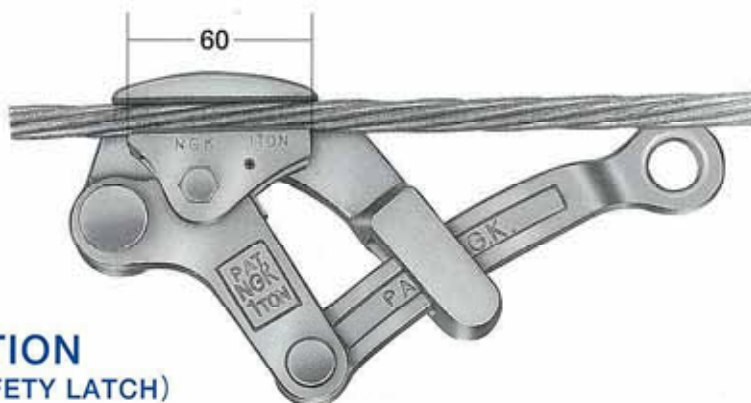


**OPTION**  
(SAFETY LATCH)

SAFE LOAD	MIN. CABLE DIA.	MAX. CABLE DIA.	WT.
10KN(1.0T)	4%	12%	0.7kg

## 1TON-GRIP

For bare copper cable, covered conductor and messenger wire

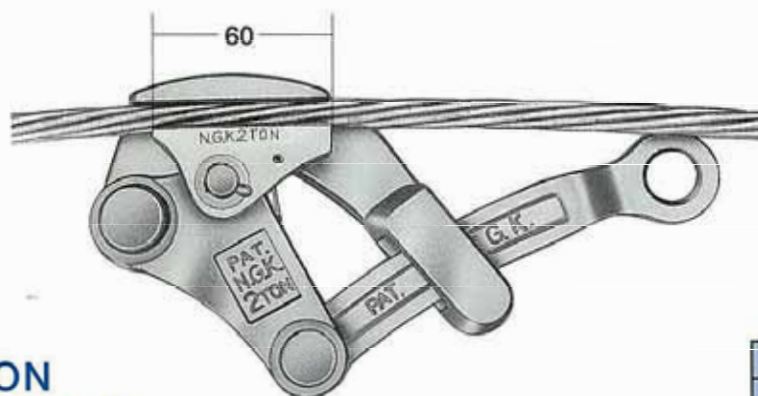


**OPTION**  
(SAFETY LATCH)

SAFE LOAD	MIN. CABLE DIA.	MAX. CABLE DIA.	WT.
10KN(1.0T)	4%	22%	1.1kg

## 2TON-GRIP

For bare copper cable, covered conductor and messenger wire



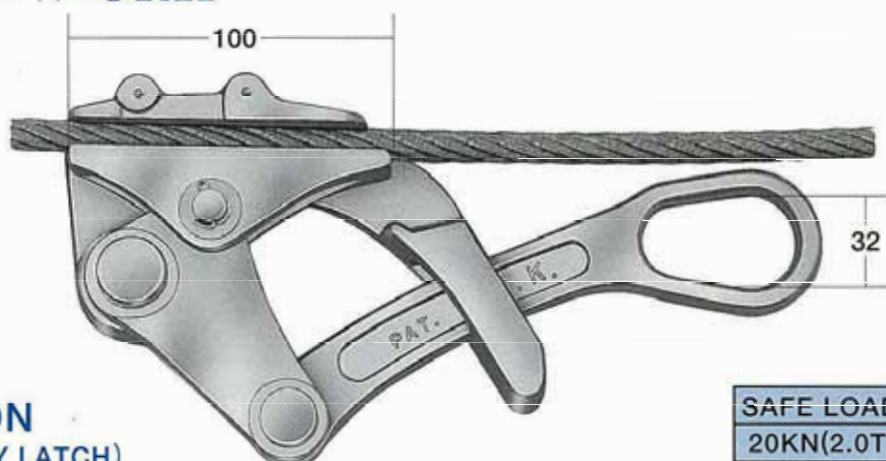
**2TON-L-GRIP**  
(with large eye lever)

**OPTION**  
(SAFETY LATCH)

SAFE LOAD	MIN. CABLE DIA.	MAX. CABLE DIA.	WT.
20KN(2.0T)	4%	22%	1.3kg

## 2TON-W-GRIP

For wire rope, messenger wire, copper cable, Trolley cable

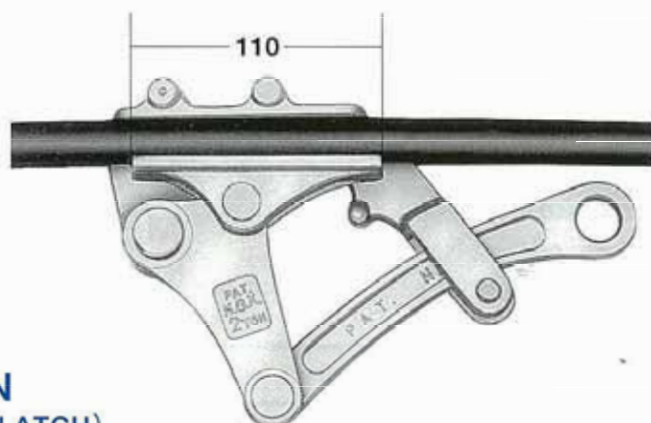


**OPTION**  
(SAFETY LATCH)

SAFE LOAD	MIN. WIRE DIA.	MAX. WIRE DIA.	WT.
20KN(2.0T)	5%	16%	1.4kg

## MIDDLE-GRIP

For copper cable, covered conductor and messenger wire



**MIDDLE-L-GRIP**  
(with large eye lever)

**OPTION**  
(SAFETY LATCH)

SAFE LOAD	MIN. CABLE DIA.	MAX. CABLE DIA.	WT.
20KN(2.0T)	5%	25%	1.8kg

## LARGE-GRIP

For copper cable and covered conductor



**LARGE-L-GRIP**  
(with large eye lever)

**OPTION**  
(SAFETY LATCH)

SAFE LOAD	MIN. CABLE DIA.	MAX. CABLE DIA.	WT.
20KN(2.0T)	16%	32%	2.1kg

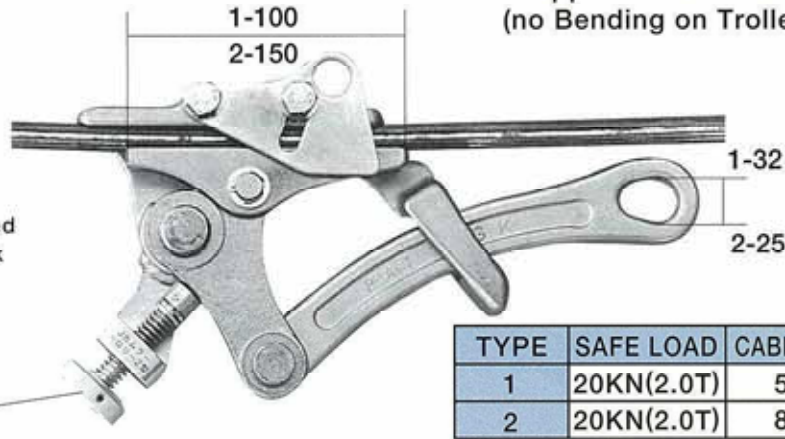
# TROLLEY-GRIP

TYPE-1  
TYPE-2

For trolley cable, messenger wire, wire rope and copper cable of RAIL-WAY (no Bending on Trolley)

Especially Designed for RAIL-WAY work

Lock (OPTION)

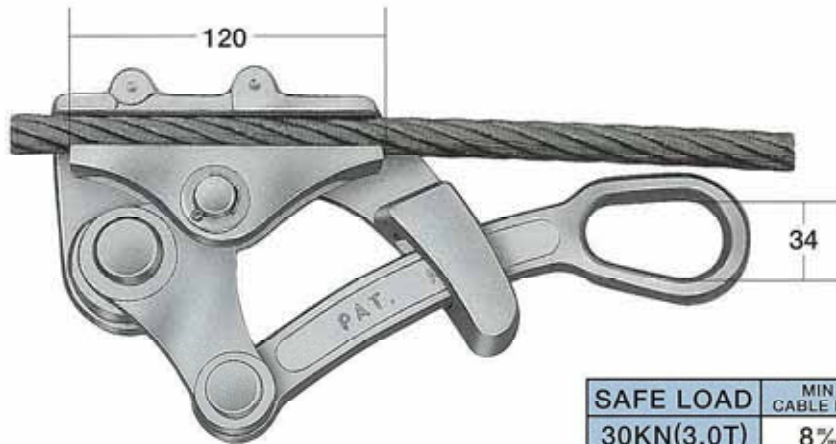


**NEW**

TYPE	SAFE LOAD	CABLE RANGE	JAW L.	WT.
1	20KN(2.0T)	5-16 %	100 %	1.5kg
2	20KN(2.0T)	8-20 %	150 %	2.8kg

# 3TON-GRIP

For wire rope, messenger wire, copper cable and trolley cable

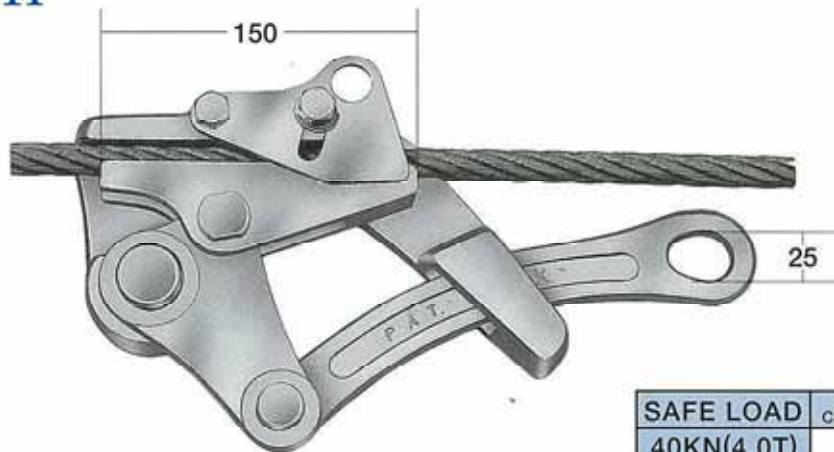


OPTION (SAFETY LATCH)

SAFE LOAD	MIN CABLE DIA	MAX CABLE DIA	WT.
30KN(3.0T)	8 %	22 %	3kg

# 4TON-GRIP

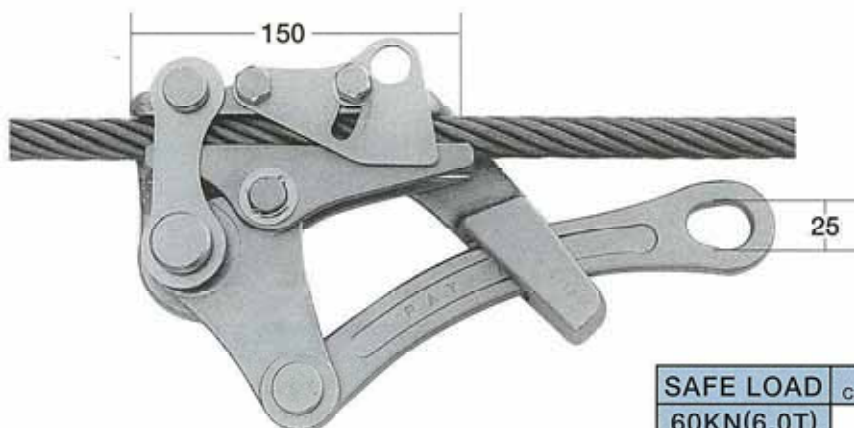
For wire rope, messenger wire, copper cable and trolley cable



SAFE LOAD	MIN CABLE DIA	MAX CABLE DIA	WT.
40KN(4.0T)	13 %	28 %	5kg

# 6TON-GRIP

For wire rope, messenger wire, copper cable and trolley cable



**NEW**

SAFE LOAD	MIN CABLE DIA	MAX CABLE DIA	WT.
60KN(6.0T)	13 %	28 %	5.2kg

# 10TON-GRIP

For wire rope, messenger wire

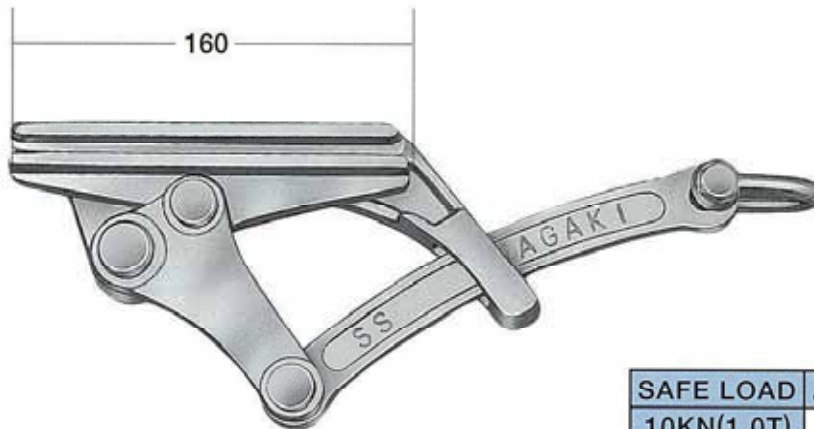


**NEW**

SAFE LOAD	MIN. CABLE DIA.	MAX. CABLE DIA.	WT.
100KN(10T)	18 $\frac{1}{8}$ "	32 $\frac{1}{8}$ "	10kg

# SS-GRIP

For telephone cable

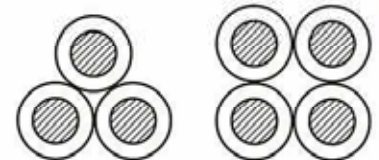
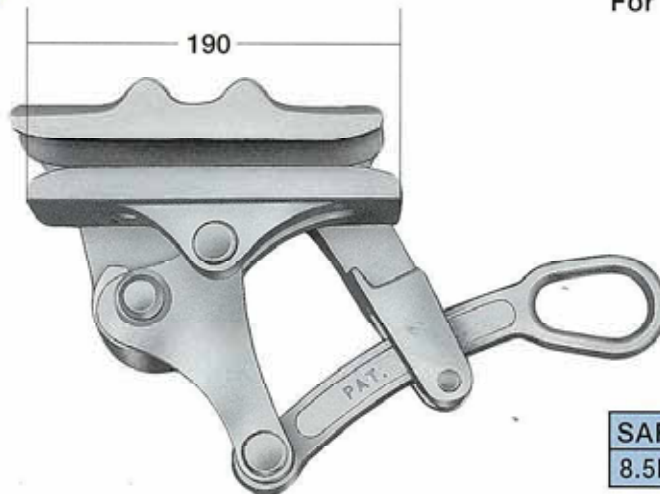


CABLE SECTION

SAFE LOAD	MIN. CABLE DIA.	MAX. CABLE DIA.	WT.
10KN(1.0T)	5 $\frac{1}{8}$ "	12 $\frac{1}{8}$ "	1.6kg

# ABC-GRIP

For aerial bouneded cable



CABLE SECTION

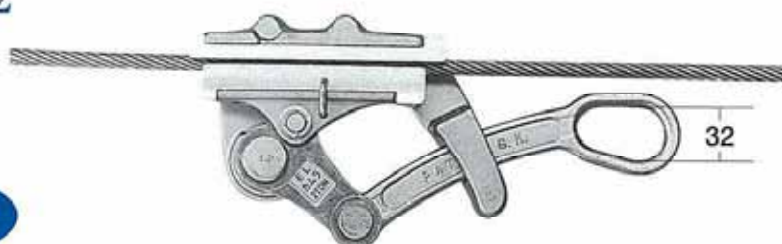
SAFE LOAD	MIN. CABLE DIA.	MAX. CABLE DIA.	WT.
8.5KN(0.85T)	4X35 $\frac{1}{8}$ "	4X95 $\frac{1}{8}$ "	3kg

**OPTION**  
(SAFETY LATCH)

# EL-GRIP

For elevator wire rope with no wire damage

TYPE-1  
TYPE-2



**NEW**

**OPTION**  
(SAFETY LATCH)

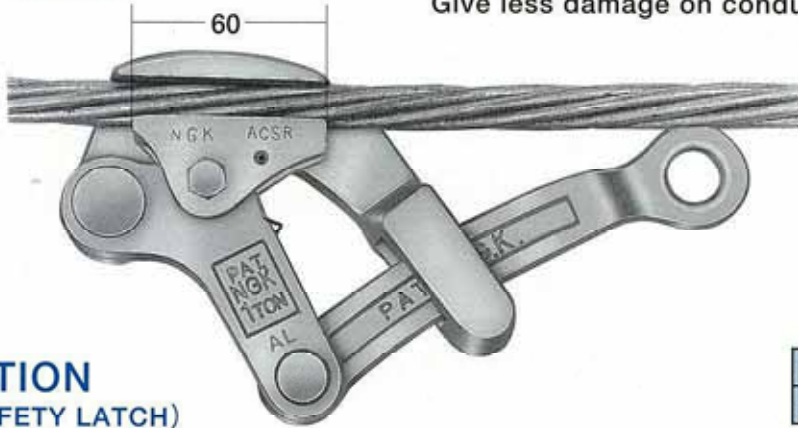
TYPE	SAFE LOAD	Shoe for each wire rope
1	10KN(1.0T)	10. 12. 14. 16. 18
2	20KN(2.0T)	



# AL-GRIPS FOR BARE AL. & CU. CABLE

## AL-GRIP

All AL-GRIPS are with fine, smooth jaw.  
Give less damage on conductor.



**OPTION**  
(SAFETY LATCH)

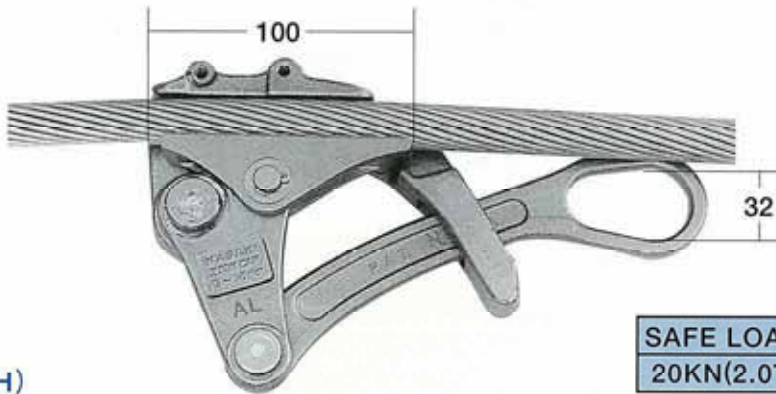


**AL-L-GRIP**  
(with large eye lever)

SAFE LOAD	MIN. CABLE DIA.	MAX. CABLE DIA.	WT.
10KN(1.0T)	5%	22%	1.1kg

## AL-2TON-GRIP

For bare aluminum cable and bare copper cable



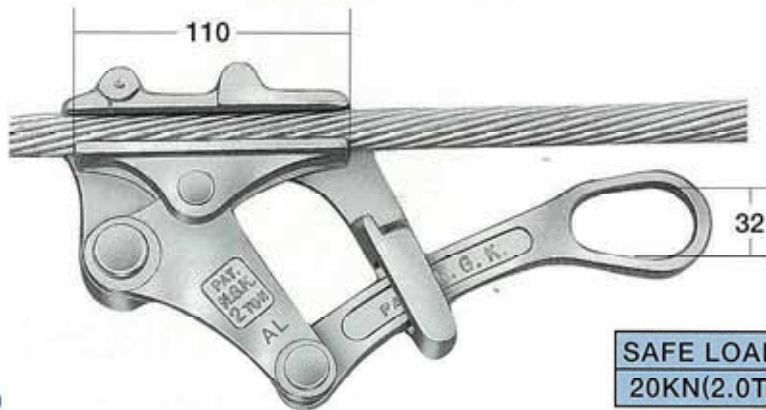
**OPTION**  
(SAFETY LATCH)

**NEW**

SAFE LOAD	MIN. CABLE DIA.	MAX. CABLE DIA.	WT.
20KN(2.0T)	5%	16%	1.5kg

## AL-MIDDLE-GRIP

For bare aluminum cable and bare copper cable

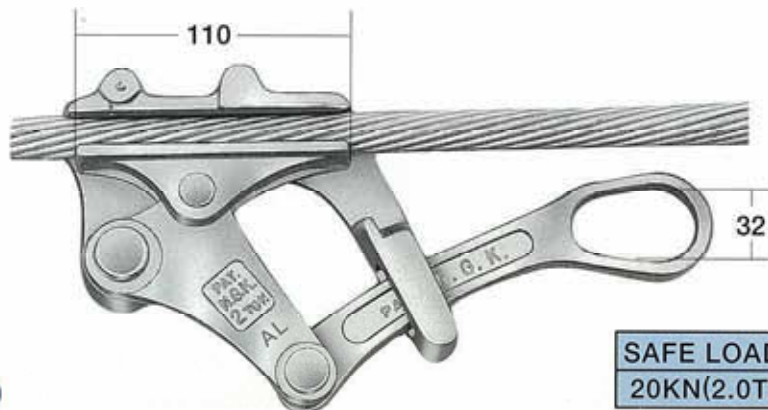


**OPTION**  
(SAFETY LATCH)

SAFE LOAD	MIN. CABLE DIA.	MAX. CABLE DIA.	WT.
20KN(2.0T)	5%	25%	1.8kg

## AL-LARGE-GRIP

For bare aluminum cable and bare copper cable



**OPTION**  
(SAFETY LATCH)

SAFE LOAD	MIN. CABLE DIA.	MAX. CABLE DIA.	WT.
20KN(2.0T)	16%	32%	2kg

## AL-3TON-GRIP

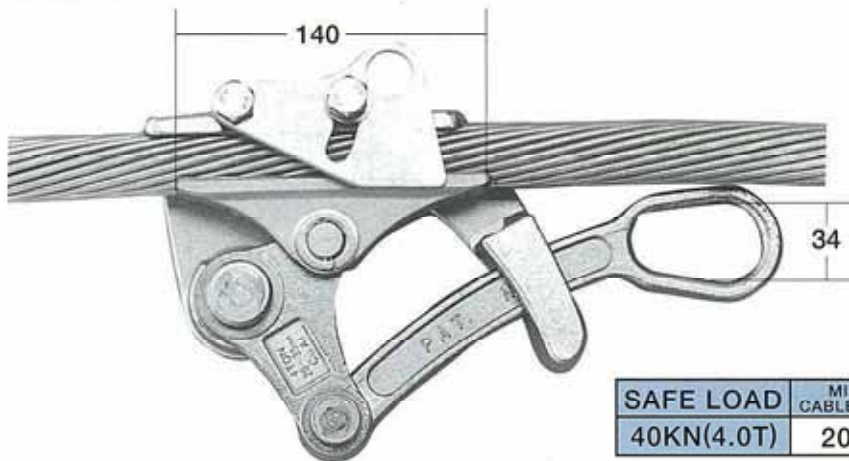
All AL-GRIPS are with fine, smooth jaw.  
Give less damage on conductor.



SAFE LOAD	MIN. CABLE DIA.	MAX. CABLE DIA.	WT.
30KN(3.0T)	8%	22%	3kg

## AL-4TON-GRIP

For bare aluminum cable and bare copper cable

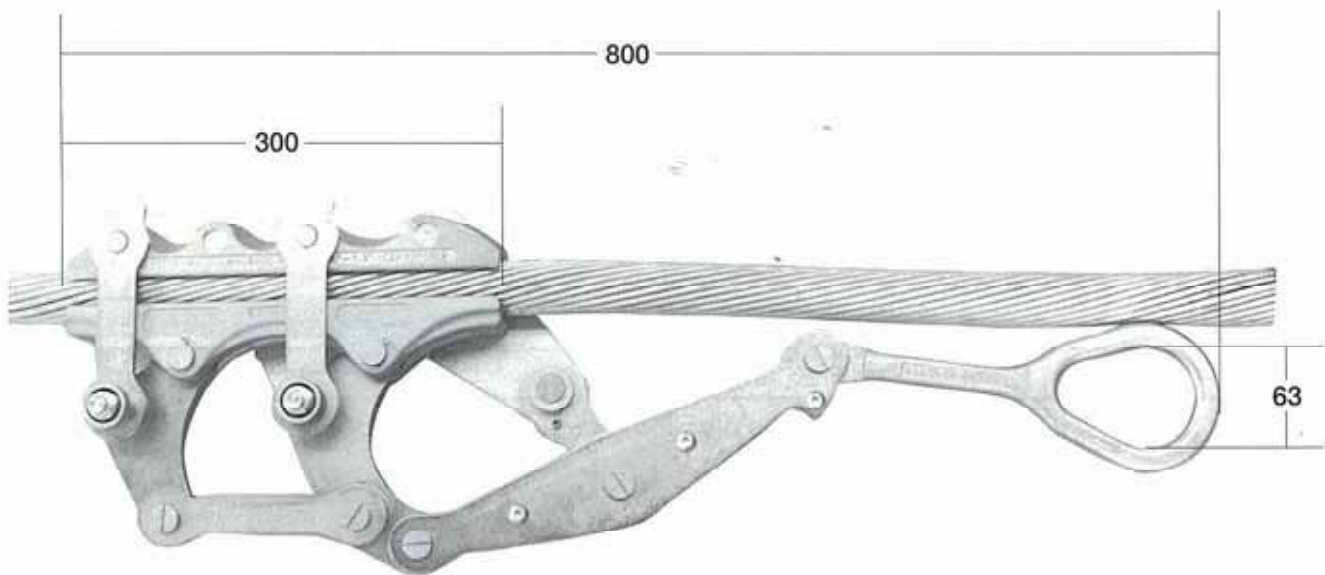


**NEW**

SAFE LOAD	MIN. CABLE DIA.	MAX. CABLE DIA.	WT.
40KN(4.0T)	20%	35%	3.7kg

## AL-10TON-GRIP

For large size bare aluminum cable only  
(Do not use for copper cable)



**NEW**

SAFE LOAD	CABLE RANGE	JAW L.	WT.
100KN(10T)	∅ 32-46%	300%	13kg
	∅ 42-52% (OPTION)		

# GRIPS FOR HOT LINE WORK

## HOT-S-GRIP

For bare aluminum cable and bare copper cable

SAFE LOAD	MIN. CABLE DIA.	MAX. CABLE DIA.	WT.
20KN(2.0T)	5%	16%	1.6kg



## HOT-M-GRIP

SAFE LOAD	MIN. CABLE DIA.	MAX. CABLE DIA.	WT.
20KN(2.0T)	5%	25%	2.0kg

## HOT-L-GRIP

SAFE LOAD	MIN. CABLE DIA.	MAX. CABLE DIA.	WT.
20KN(2.0T)	16%	32%	2.0kg

# MESSENGER-PULLEY SET

1. Attach the rod-grip closely to the neck of rod.
2. Attach the wire-grip and ratchet-puller.
3. Pull the messenger-wire and fasten the pre-formed-grip.

Ratchet-puller Model 1000 (option)

DETAIL OF ROD-GRIP



**NEW**

OPTION



MODEL	CAPACITY	ROD	WT.
2TON	20KN(2.0T)	9%~25%	3.8kg
3TON	30KN(3.0T)	9%~25%	6.5kg
WT. WITHOUT RATCHET PULLER			

## RATCHET WRENCH

(FOUR DIFFERENT SIZE IN ONE)

MODEL  
BY-3



(INSULATED HANDLE)

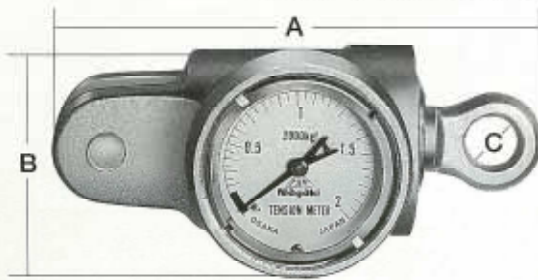
D (%)	10	12	16	20
B (%)	17	19	24	30

# TENSION METERS

For measurement of tension and load

**VERY SMALL, VERY LIGHT WEIGHT, VERY COMPACT**

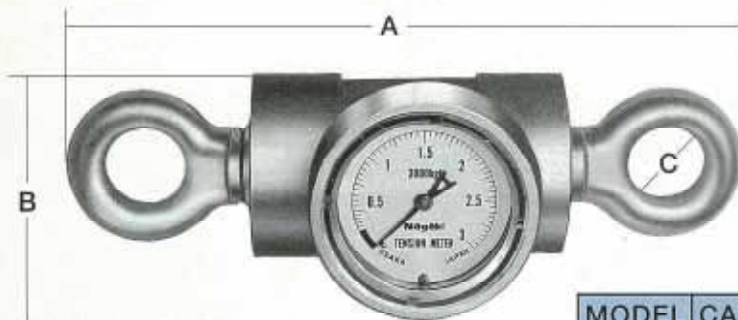
(Newton and Kg Unit)



(± 3% F.S.)

MODEL	CAPACITY	GRADUATION	A	B	C	WT.
A-1	1KN(100kg)	20N(2kg)	130%	65%	20%	0.7kg
A-3	3KN(300kg)	50N(5kg)	110%	65%	16%	0.7kg
A-5	5KN(500kg)	100N(10kg)	110%	65%	16%	0.7kg
A-10	10KN(1.0T)	200N(20kg)	135%	65%	16%	0.8kg
A-20	20KN(2.0T)	500N(50kg)	135%	65%	16%	1.2kg

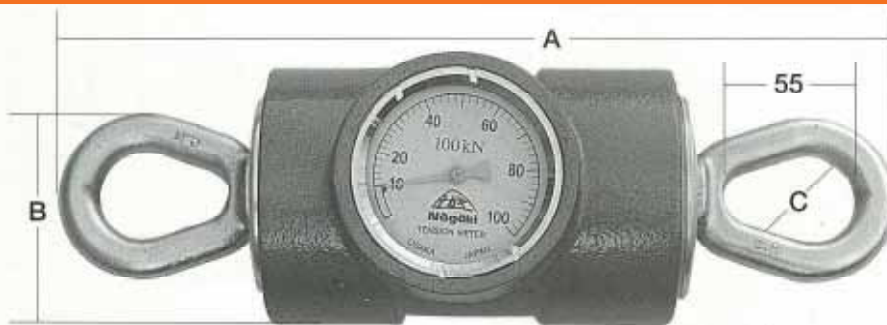
A-1 , A-3 , A-5 , A-10 , A-20



(± 3% F.S.)

MODEL	CAPACITY	GRADUATION	A	B	C	WT.
A-30	30KN(3.0T)	500N(50kg)	150%	80%	28%	2.0kg
A-50	50KN(5.0T)	1KN(100kg)	260%	95%	28%	3.0kg

A-30, A-50



**NEW**

(± 3% F.S.)

MODEL	CAPACITY	GRADUATION	A	B	C	WT.
A-100	100KN(10T)	2KN(200kg)	360%	100%	38%	7kg

A-100



## RMCS

**REBAR, MESH &**  
Construction Supplies (Pty) Ltd t/a RMCS

571 Setter Road, Commercial Industrial  
Midrand, Gauteng Province, 1685

Tel. +27 (0) 11 310 8660 Fax. +27 (0) 86 545 6012  
Email. sales@rmcs.com Web. www.rmcs.com